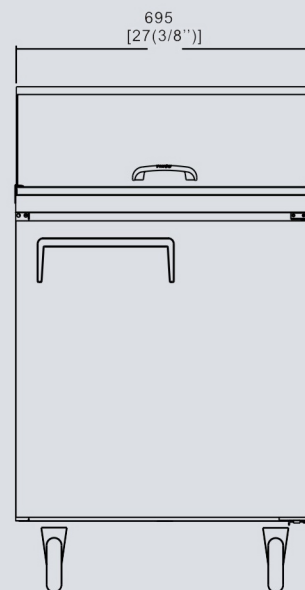
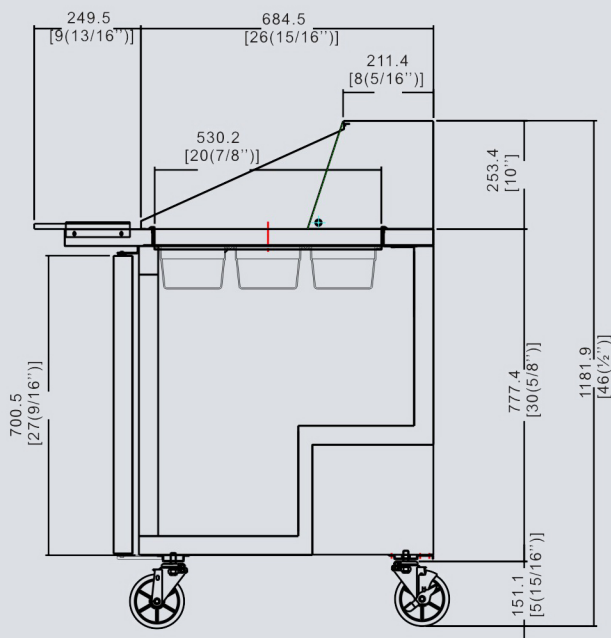
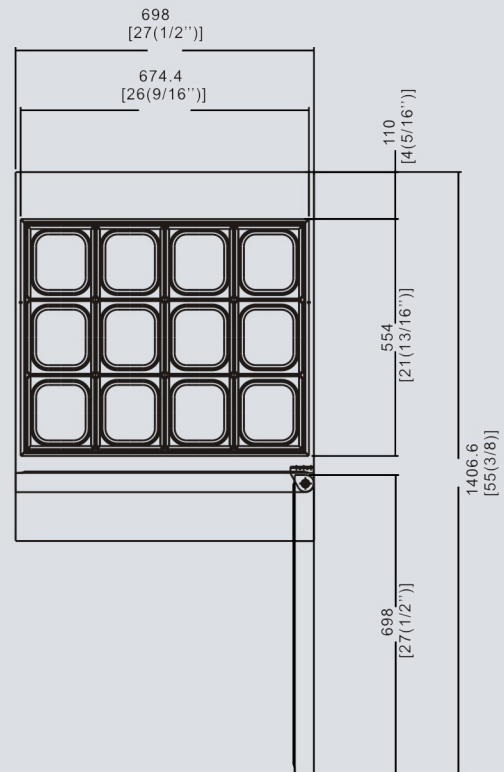


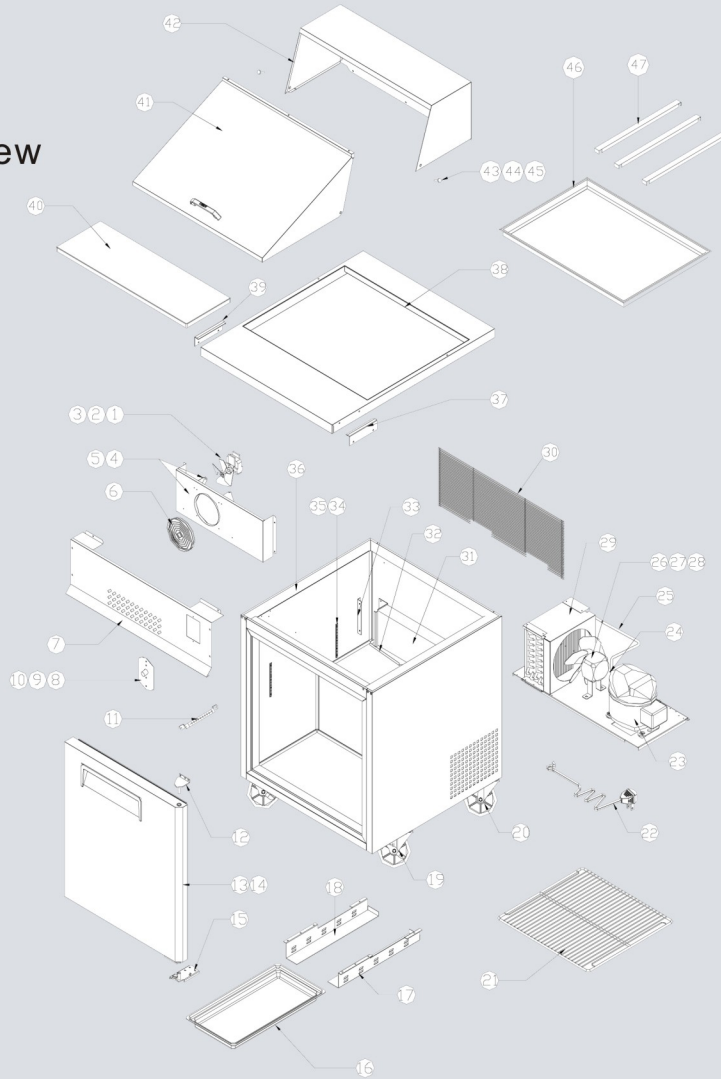
YSP-27 One Door Mega Top Sandwich Prep

- Includes stainless pans (27"-12 pan 48"-18 pan 60"-24 pan 72"-30 pan)
- All high quality stainless exterior construction
- All high quality stainless interior
- Oversized forced air refrigeration system for even cooling
- 9 1/2 " cutting board made of low density polyethylene
- Cutting board rail mounts made of high quality stainless rail design for secure mounting and east removal
- Oversized CFC free R-134A refrigeration system very efficient evaporators and condensers
- Complete foamed in place high density insulation for more efficient cooling
- Self closing doors
- Epoxy coated shelves
- Magnetic door gaskets
- Insulated top cover
- Easily over on 4 swivel casters



YSP-27

Exploded view



NO	English name	Code	Material	QTY
1	EVAP FAN MOTOR	W0301039		1
2	COOLING FAN BLADE	W0301071		1
3	MOTOR BRACKET	83022003	SUS304-2B	1
4	EVAP FAN COVER	83011701	SUS430-2B	1
5	EVAP FAN AIR GUIDE	83021304	SUS430-2B	2
6	WIRE FAN COVER	W0604072		1
7	EVAP DUCT	83011302	SUS430-2B	1
8	THERMOSTAT	W0302306		1
9	KNOB	W0409837		1
10	THERMOSTAT PANEL	83021804		1
11	TEMPERATURE	W0699011	NSF认证	1
12	TOP HINGE (R)	W0604026	SUS304	1
13	DOOR ASSY	MSF8301FC01		1
14	DOOR GASKET	W0404518		1
15	BOTTOM HINGE (R)	W0604028	SUS304	1
16	DRAIN PAN	W0409862	PP	1
17	DRAIN PAN GUIDE (R)	83012502	GI	1
18	DRAIN PAN GUIDE (L)	83012501	GI	1
19	CARSTER (BRAKE)	B0604007		2
20	CARSTER	B0604006		2
21	SHELF	W0402568		1
22	POWER CORD	W0305134		1
23	COMPRESSOR	W0201824	FFI8.5HAK	1
24	DRYER	W0204003		1
25	PIPE(CONDENSER-COMP)	W0210176		1
26	CONDENSER FAN MOTOR	W0301033		1
27	CONDENSER FAN BLADE	W0301060		1
28	CONDENSER MOTOR BRACKET	W0604061		1
29	CONDENSER	W0203035	CU	1
30	MECH COVER	W0402575		1
31	EVAPORATOR	W0202122	CU	1
32	EVAP DRAIN GUIDE	83011301	SUS430-2B	1
33	EVAP DUCT SUPPORTER	83022708	SUS430-2B	2
34	SHELF STANDARD	24432012	SUS430-2B	4
35	SHELF CLIP	542013	SUS430-2B	4
36	CABINET ASSY			1
37	BOARD KITCHEN BK(R)	83022703	SUS430-2B	1
38	BOARD KITCHEN BK(L)	83022702	SUS430-2B	1
39	COUNTER TOP		SUS430-2B	1
40	BOARD KITCHEN	W0499200	MIPS	1
41	HOOD LID ASSY	MSF8305AJ01	SUS430-2B	1
42	HOOD	MSF8305AJ02	SUS430-2B	1
43	HOOD HINGE	W0604039	SUS316	2
44	HOOD SPACR(BIG)	W0604040	SUS316	2
45	HOOD SPACR	W0604021	SUS316	2
46	PAN SUPPORTER ASSY	MSF8305AI01		1
47	PAN GUIDE	83061904	SUS430-2B	3

Product Specification

Model	YSP-27		
Exterior Dimensions (inch)	27.5*36.8*46.5		
Interior Dimensions (inch)	23.9*23.6*26.4		
Packing Dimensions (inch)	30.2*37.5*45		
Shelf Dimensions (inch)	23.2*17.6*1.3		
Shelf QTY (pcs)	1		
Loading capacity per shelf (lbs/pcs)	88		
Capacity (Cu. Ft)	28	Defrost Method	Air Defrost
Net Weight (lbs)	220	Defrost Power (W)	0
Gross Weight (lbs)	242	Climate types	5
Voltage (V/Hz/Ph)	115/60/1	Refrigerant Amonut (oz)	9.2
Power (W)	390	Refrigerant	R-134a
Power consumption (kw/24h)	1.6	Cooling Method	Ventilated