

# TECHNICAL DATA

## Dimensions

|                              |                        |
|------------------------------|------------------------|
| Exterior Dimensions (WxDxH)  | 47.25" x 29.5" x 35.5" |
| Interior Dimensions (WxDxH)  | 42.5" x 19.5" x 24"    |
| Net Volume (cu. ft.)         | 12 cu. ft.             |
| Net Weight                   | 209 lbs                |
| Packaging Dimensions (WxDxH) | 50" x 32.5" x 38"      |

## Cooling

|                                    |             |
|------------------------------------|-------------|
| Temperature Range                  | 32° - 50° F |
| Refrigerant                        | R134a       |
| Maximum Ambient Temperature Rating | 100.4° F    |
| Defrosting                         | Automatic   |
| Temperature Display                | Yes         |
| Temperature Controller             | Digital     |
| H/P                                | 1/4         |

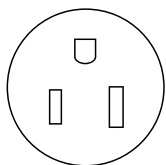
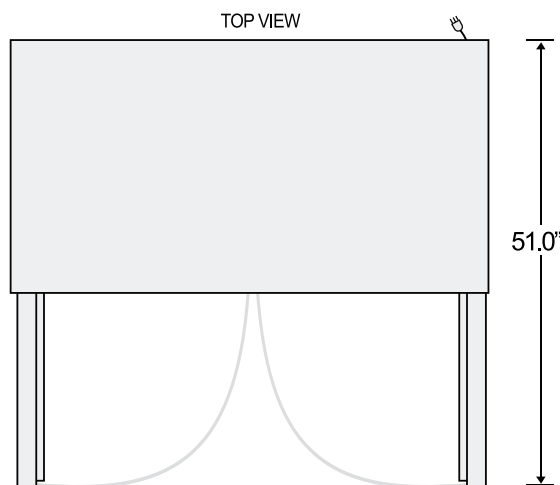
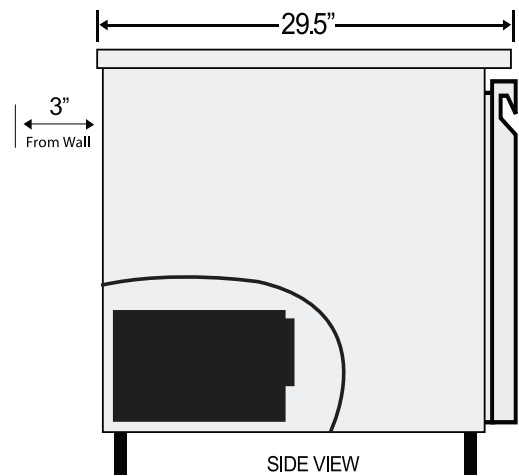
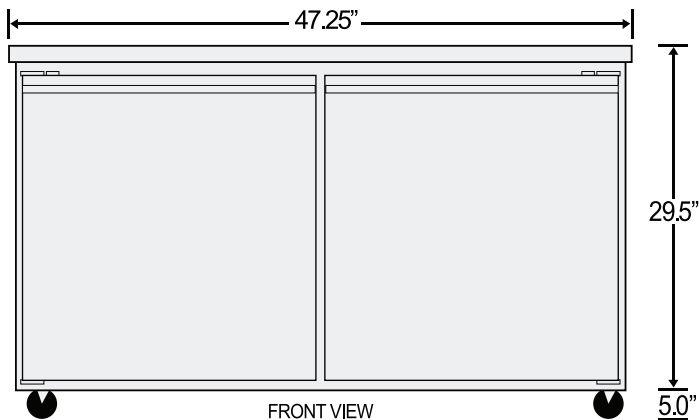
## Construction

|                     |                              |
|---------------------|------------------------------|
| Exterior Material   | 430 series stainless steel   |
| Interior Material   | 304 series stainless steel   |
| Insulation Material | Foamed in place polyurethane |
| Shelf Material      | Plastic coated steel         |
| Shelf Load Capacity | 90 lbs                       |

## Electrical

|         |     |
|---------|-----|
| Voltage | 120 |
| Amps    | 4.8 |
| Hz      | 60  |
| Phase   | 1   |

## PLAN VIEW



NEMA 5-15