

# TECHNICAL DATA

## Dimensions

Exterior Dimensions (WxDxH)	27" x 29.5" x 35.5"
Interior Dimensions (WxDxH)	22" x 19.5" x 23.5"
Net Volume (cu. ft.)	6.25 cu. ft.
Net Weight	154 lbs
Packaging Dimensions (WxDxH)	30" x 32.5" x 38"

## Cooling

Temperature Range	32° - 50° F
Refrigerant	R134a
Maximum Ambient Temperature Rating	100.4° F
Defrosting	Automatic
Temperature Display	Yes
Temperature Controller	Digital
H/P	1/5

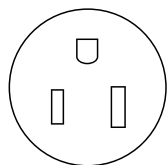
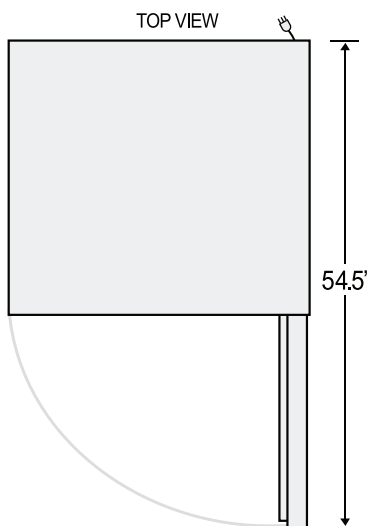
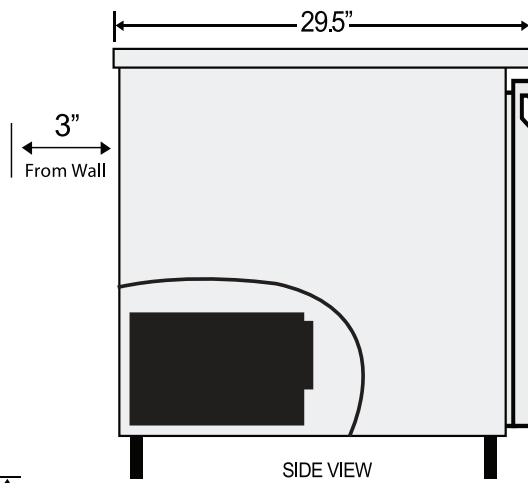
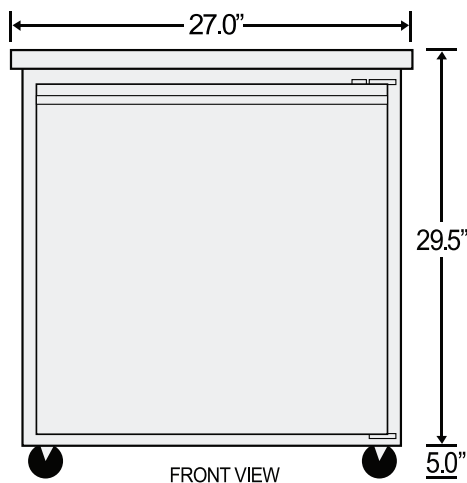
## Construction

Exterior Material	430 series stainless steel
Interior Material	304 series stainless steel
Insulation Material	Foamed in place polyurethane
Shelf Material	Plastic coated steel
Shelf Load Capacity	90 lbs

## Electrical

Voltage	120
Amps	4.6
Hz	60
Phase	1

## PLAN VIEW



NEMA 5-15